

CHDD - 6.8/1



Primary flight display Digital video input display

Main features

- 6" x 8" AMLCD color screen
- 640 x 480 VGA resolution (SVGA, XGA optional)
- NVG compatibility option with day/night mode selection
- Extensive Built-In Testing (BIT)
- Compact design
- Digital video input: LVDS or DVI (optional)
- Software loadable through connector
- Several keyboard options
- RS-422 keyboard communication
- Ambient Luminance Control
- Wide viewing angle
- Can be connected with MOSArt™ processing unit

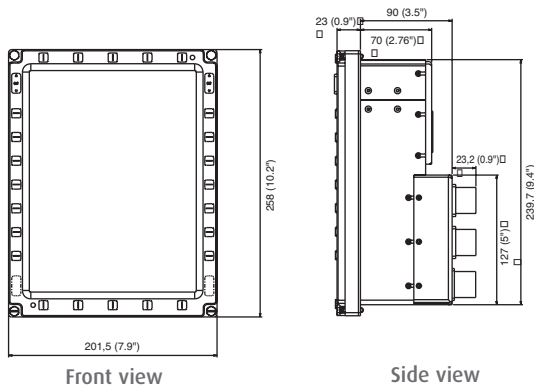
The CHDD-6.8/1 is a digital video only, Cockpit Head Down Display that can be used as a Primary Flight Display (in combination with an external symbol generator). The display features a sunlight readable 6" x 8" Active Matrix Liquid Crystal Display (AMLCD). This technology provides high brightness, excellent contrast and reduced volume with low power consumption.

Various bezel options are available allowing the CHDD-6.8/1 to fit into various avionics architectures for both new and retrofit aircraft.

BARCO

Visibly yours

Technical specifications



Generic

Integrated CRS/HDG and slip indicator

ELECTRO OPTICAL

Panel type: AMLCD (Silicon TFT)
 Panel active area: 211.2 x 158.4 mm / 8.31" x 6.23"
 Panel resolution: 640 x 480 (VGA)
 Screen specifications: 264,144 colors, 64 grayscales
 Brightness: White surface luminance 160 fL, 548 cd/m²
 Contrast ratio: >100:1 @ dark environment; >7:1 @ 10,000 fc
 Anti reflection: Multilayer coating MIL-C-14806
 NVG compatibility: MIL-STD-3009 (optional)
 Color temperature: >5000 K
 White uniformity: Better than 30%
 Viewing angle (portrait mode)
 Standard: Horz: -10°/+35°, Vert: +/- 45°
 Optional: Horz: +/-65°, Vert: +/- 65°

INTERFACES

Input: LVDS digital video (maximum 2)
 Output: RS-422 keyboard communication

CONTROLS

Controls (front): Brightness, up/down rocker switch
 Keys: Special function keys, customer selectable softkeys
 Automatic Light Control 2 light sensors

GENERAL DATA

Power supply: Std. 28 Vdc, MIL-STD-704A
 Power consumption: Operating: 60W, cold start: 150W
 Weight: 4.5 kg / 9.9 lbs
 Cooling: Internal fans, cooling via cold wall
 MTTR: Less than 0.5 Hours
 Built-In Testing: IBIT, CBIT, PBIT
 Software: RTCA/DO-178B

ENVIRONMENTAL

Military version: MIL-STD-810 E
 Civil version: RTCA/DO-160D
 High temperature: +55°C / +131°F operational, +71°C / +160°F (30 mins)
 Low temperature: -40°C / -40°F operational, Warm-up time: 5 min. Operational: 10 min. full specs
 Humidity: Up to 95% RH; 60°C condensing
 Vibration: MIL-STD-810E
 Shock: 15 G - 11 ms half sine
 Altitude: 50,000 ft (operational)
 EMI/EMC: MIL-STD-461C/462D
 MTBF (calculated): 10,000 hrs (AIC), excluding backlight

OPTIONS

- 600 x 800 SVGA and XGA resolution
- Extended viewing angle Horz: +/-65°, Vert: +/- 65°
- Landscape mode version
- For other custom options, please contact Barco



In search of continuous improvement

K5906005 00.03 0607 © 2007 Barco
 Technical specifications are subject to change without prior notice

www.barcoairspace.com

Barco
 Pres. Kennedypark 35 - B-8500 Kortrijk, Belgium
 Phone: +32 56 233 045 - Fax: +32 56 233 588
 E-mail: sales.aerospace@barco.com

Barco, Inc.
 3059 Premiere Parkway, Duluth, GA 30097
 Phone: +1 678 475 8000 - Fax: +1 678 475 8007
 Email: avionics.sales_US@barco.com



Visibly yours